



SIGNAL PROCESSING BOARD

SIGNAL PROCESSING BOARD



SOC 1 (ZYNQ-ZC7Z020)

- Dual Core ARM Cortex A9
- 1 GB 1066Mhz 32b DDR3
- 10/100/1000 Mbps Ethernet
- 128 Mb 100Mhz-4b Configuration Memory

SOC 2 (ZYNQ-ZC7Z100)

- Dual Core ARM Cortex A9
- 1 GB 1066Mhz 32b DDR3
- 10/100/1000 Mbps Ethernet
- 512 Mb 100Mhz-8b Configuration Memory
- 32 GB 50Mhz-4b eMMC Flash Memory

FPGA

- Artix 7 FPGA
- Kintex 7 FPGA

COMMUNICATION BETWEEN TWO FPGA

- 2400Mbs AXI Chip2Chip
- SGMII

VPX (VITA 46) P0 I/O

- 2 x SMBus

VPX (VITA 46) P1 I/O

- 3 x Half Duplex RS422/485
- 4 Lane PCIe Gen 2.0
- 1 Lane PCIe Gen 2.0
- 2 x 10/100/1000 Mbps Ethernet
- 20 X LVDS Input/Output

VPX (VITA 46) P2 I/O

- 1 x GPIO
- 1 x Full Duplex RS422/485
- 44 X LVDS Input/Output

FRONT PANEL I/O

- 1 x HDMI 2.0 In
- 1 x HDMI 2.0 Out
- 6 x Card Status LED's

POWER REQUIREMENT

- 12V (4.2A) ~ 50W,
- 5V (2.2A) ~ 11W

DIMENSIONS

- OpenVPX 3U (16 cm x 10 cm x 2.54 cm)

PROFILE

- MOD3-PAY-2F2T-16.2.5-3

OPERATING TEMPERATURE

- -40, +71°C Ambient

COOLING METHOD

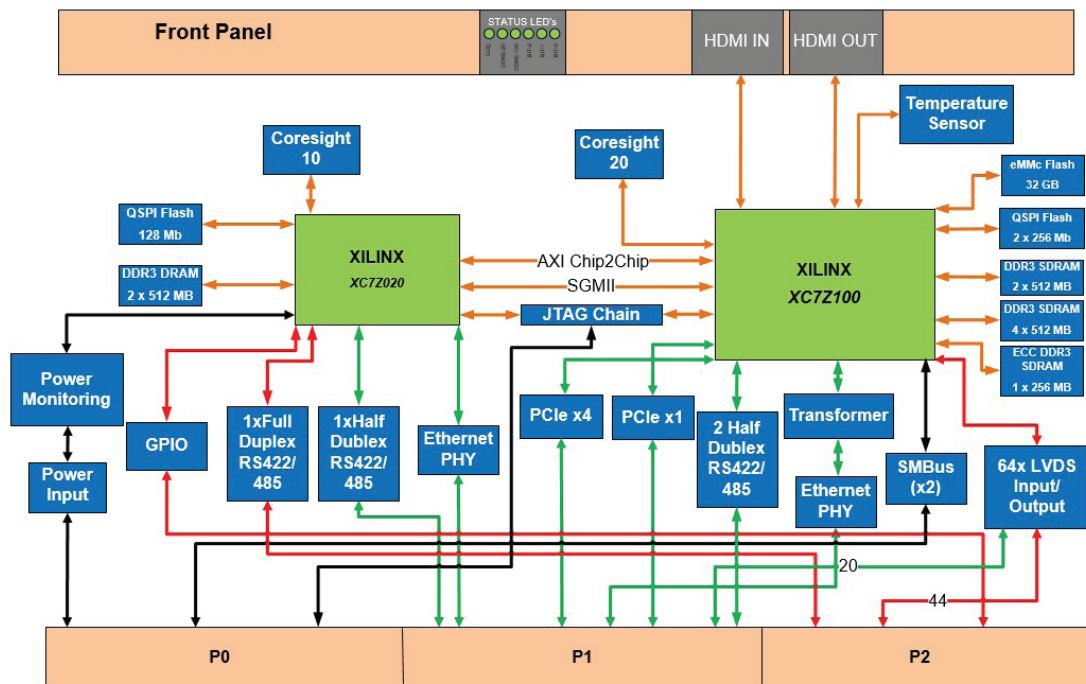
- Conduction Cooled

VIBRATION

- 0.05 g²/Hz (maximum), 5 to 2000 Hz

SHOCK

- 30 g 11 ms sawtooth



Note : Bare Metal BSP Support and Test Card Available.